



СВЕТОДИОДЫ BEELED – ТЕХНИЧЕСКОЕ ОПИСАНИЕ

MODEL: 1206AML-001

Sample Approval Sheet

Product type: Chip LED		
Product name: 1206 Orange LED		
Part No.: 1206AML-001		
Sample No.:		
Acknowledgement Numbers: 201808240002		
Signatures		
Approved	Checked	Drawn
周宏	刘高云	阮国成

Customer		
Corporation:		
Material No.:		
Part No.:		
Customer Signatures		

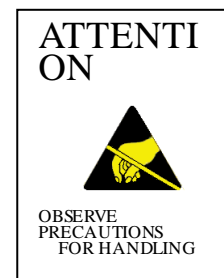
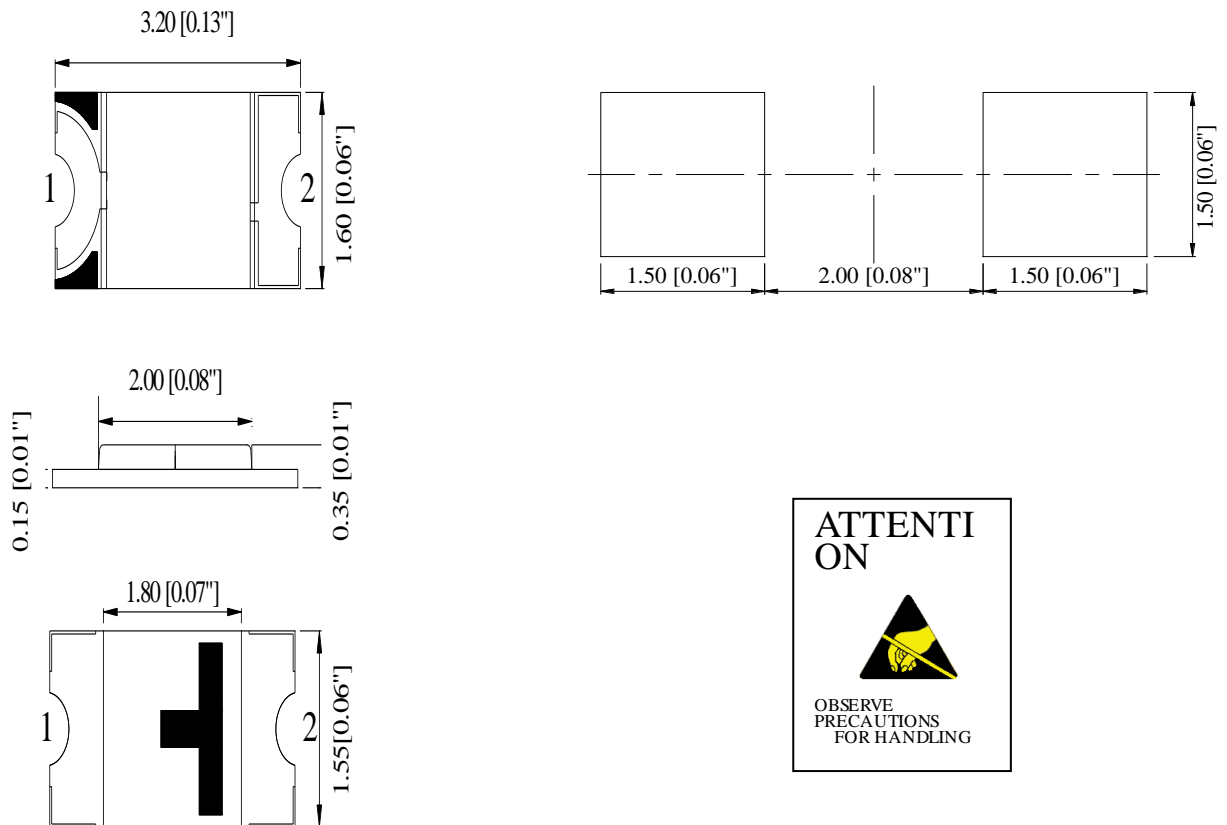
СВЕТОДИОДЫ BEELED – ТЕХНИЧЕСКОЕ ОПИСАНИЕ

MODEL: 1206AML-001

Feature

- *Low power consumption
- *Long life-solid state reliability
- *Available on tape and reel
- *RoHS compliant

Package outline dimensions



Note:

1. All dimensions are in millimeters (mm);
2. X.X is +/-0.1mm, X.XX is +/- 0.05mm unless otherwise noted;
3. The device has a single mounting surface, the device must be mounted according to the specifications.



СВЕТОДИОДЫ BEELED – ТЕХНИЧЕСКОЕ ОПИСАНИЕ

MODEL: 1206AML-001

Electrical characteristics data sheet

Selection Guide

Part No.	Emitted Color	Resin color	Viewing Angle $2\theta_{1/2}$
1206AML-001	Orange	Water transparent	130°

Absolute Maximum Ratings at Ta=25°C

Parameter	Symbol	Value	Unit
Power dissipation	Pd	70	mW
DC Forward Current	If	30	mA
Peak Forward Current ⁽¹⁾	Ifp	70	mA
Reverse Voltage	Vr	5	V
Electro-Static-Discharge ⁽²⁾ (HBM)	ESD	1000	V
Operating Temperature	Topr	-25to+85	°C
Storage Temperature	Tstg	-40to+100	°C
Lead Solder Temperature	Tsol	250 for 5sec	°C

Notes:

- 1/10 duty cycle, 0.1ms pulse width
2. The products are sensitive to static electricity and must be carefully taken when handling products.

Electrical/Optical Characteristics Ta=25°C (电子光学特性)

Parameter	Symbol	Condition	Value			Unit
			Min.	Typ.	Max.	
Forward voltage	VF	If=20mA	1.8	--	2.4	V
Luminous intensity	IV	If=20mA	100	125	--	med
Dominant wavelength	WLD	If=20mA	600	--	610	nm
Peak wavelength	WLP	If=20mA	---	609	---	nm
Reverse current	Ir	Vr=5V	---	---	10	μA

Notes:

1. Forward voltage: ±0.1V
2. Dominant Wavelength: ±1nm
3. Luminous intensity: ±10%

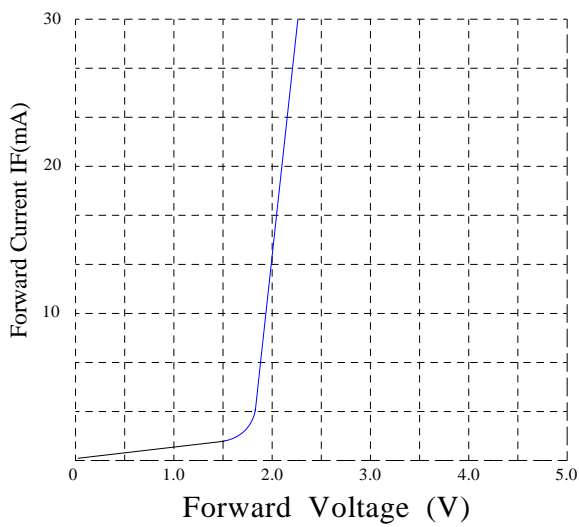


СВЕТОДИОДЫ BEELED – ТЕХНИЧЕСКОЕ ОПИСАНИЕ

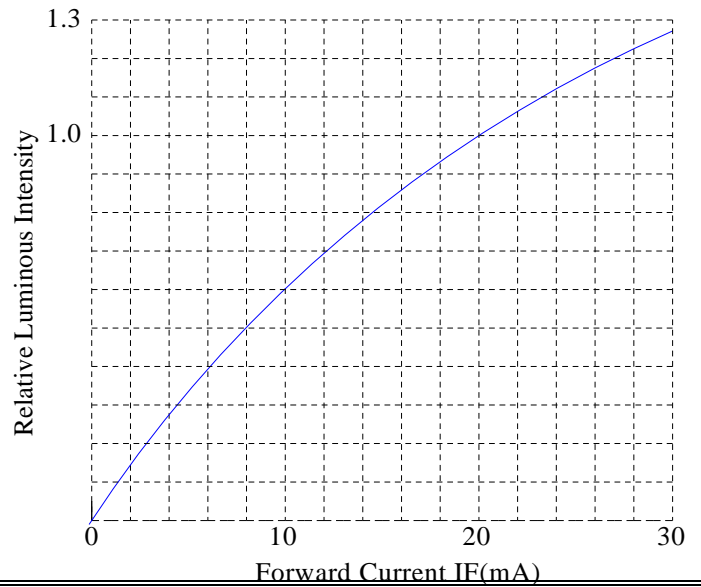
MODEL: 1206AML-001

Typical Electro-Optical Characteristics Curves

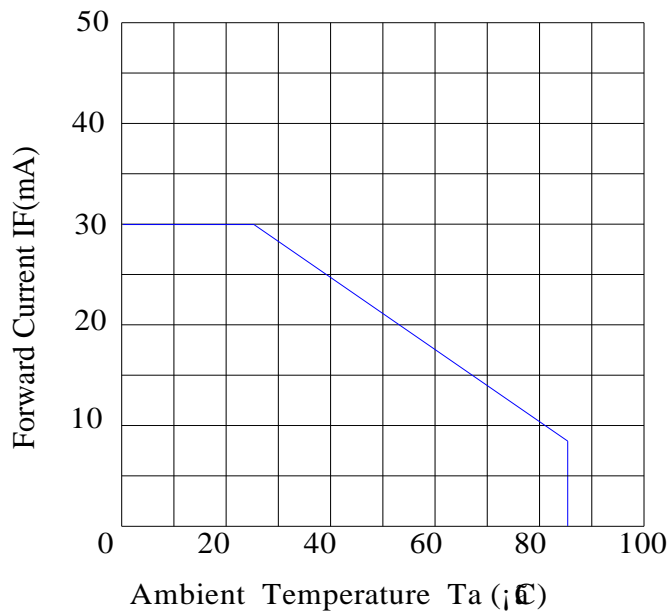
FORWARD CURRENT VS. FORWARD VOLTAGE



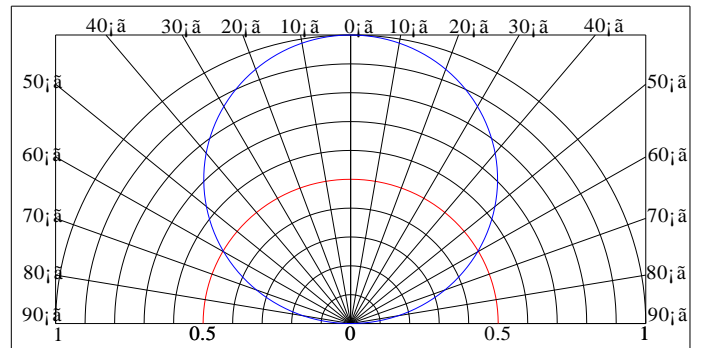
FORWARD CURRENT VS. LUMINOUS INTENSITY



AMBIENT TEMPERATURE VS. FORWARD CURRENT



RADIATION DIAGRAM





СВЕТОДИОДЫ BEELED – ТЕХНИЧЕСКОЕ ОПИСАНИЕ

MODEL: 1206AML-001

Bin Range of Technical Data Sheet

Voltage code (电压等级) (IF=20mA, Ta=25°C)			Luminous code(光强等级) (IF=20mA, Ta=25°C)		
Bin Code	Forward voltage (V)		Bin Code	Luminous Intensity (mcd)	
	min	max		min	max
11	1.8	2	L	100	125
12	2	2.2	M	125	160
13	2.2	2.4	N	160	200
			O	200	250

Color Bin Limits

Color code (颜色等级) (IF=20mA, Ta=25°C)		
Bin Code	Dominant wavelength (nm)	
	min	max
O1	600	602
O2	602	604
O3	604	606
O4	606	608
O5	608	610

Notes:

- 1、Tolerance of forward voltage for each Bin limit is ± 0.1 v.
- 2、Tolerance of luminous intensity for each Bin limit is $\pm 10\%$.
- 3、Tolerance of wavelength for each Bin limit is ± 1 nm.



СВЕТОДИОДЫ BEELED – ТЕХНИЧЕСКОЕ ОПИСАНИЕ

MODEL: 1206AML-001

Reliability Test Items and Conditions

1、 Test items and result

Test Item	Ref. Standard	Test Condition	Note	Number of Damaged
Resistance to Soldering Heat	JESD22-B106	Tsld=260°C,10sec	2 times	0/100
Temperature Cycle	JESD22-A104	-40°C 30min ↓↑ 5min 100°C 30min	10 cycle	0/100
Thermal Shock	JESD22-A106	-40°C 15min ↑↓ 100°C 15min	10 cycle	0/100
Power temperature Cycling	JESD22-A105	On 5min -40°C>15min ↑↓↑↓<15min Off 5min 100°C>15min	10 cycle	0/100
High temperature Storage	JESD22-A103	Ta=100°C	1000 hrs	0/100
Low temperature Storage	JESD22-A119	Ta=-40°C	1000 hrs	0/100
Lift Test	JESD22-A108	Ta=25°C IF=20mA	1000 hrs	0/20
High Humidity Heat Lift Test	JESD22-A101	60°C RH=90 % IF=20mA	1000 hrs	0/20

2、 Criteria for judging damage

Item 项目	Symbol 符号	Test Conditions 测试条件	Criteria for Judgment 判断标准	
			Min 最小	Max 最大
Forward voltage 正向电压	VF	IF=20mA	--	U.S.L*)×1.1
Reverse current 反向电流	IR	VR=5V	--	U.S.L*)×2.0
Luminous intensity 光照强度	IV	IF=20mA	L.S.L**)×0.7	--

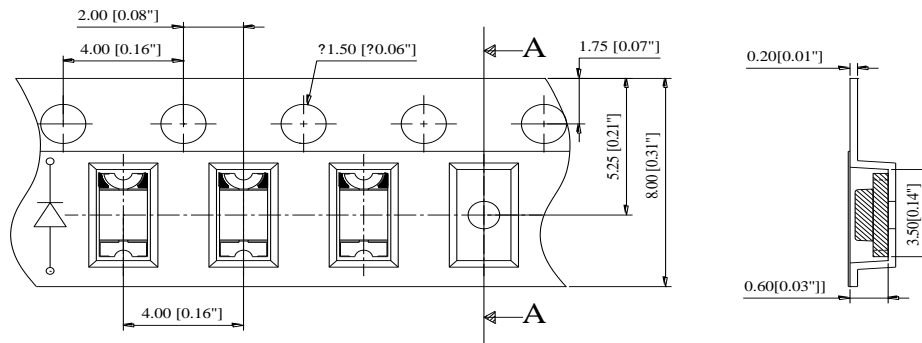
Notes:

U.S.L.: Upper Standard Level

L.S.L.: Lower Standard Level

Packaging Dimensions Specification

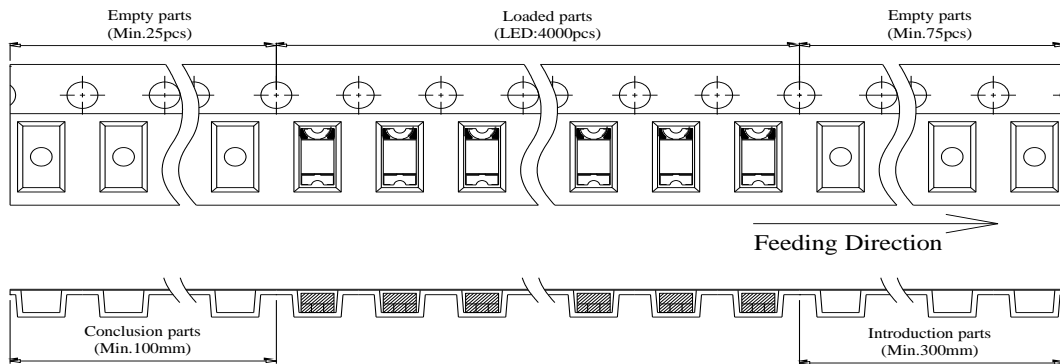
1、Carrier tape dimensions



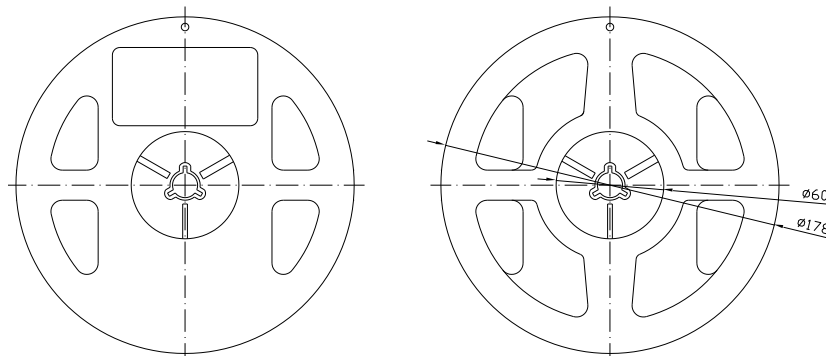
Notes:

- 1) All dimensions are in millimeters
- 2) Tolerance is ± 0.15 unless otherwise noted
- 3) 3,000 pcs/Reel.

2、Details of carrier tape(编带细节)

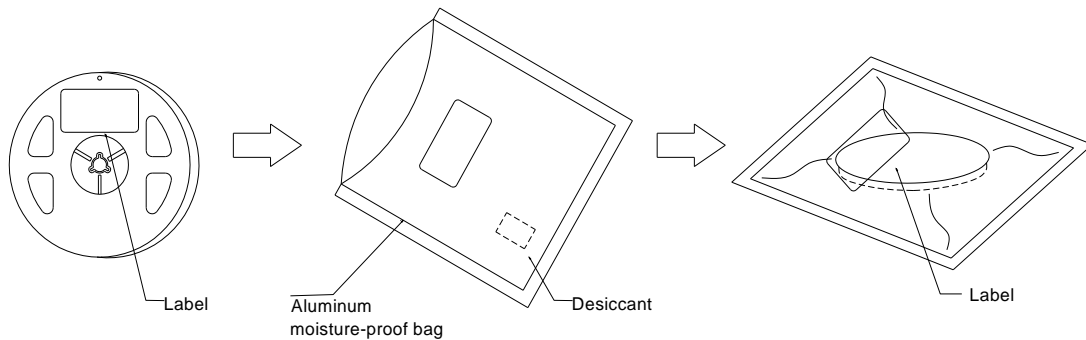


3、Reel dimension

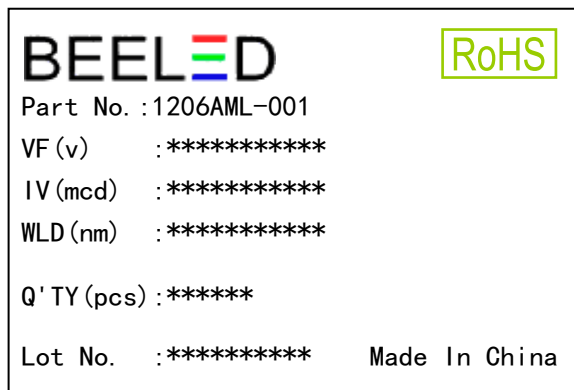


Packaging Dimensions Specification

4、Moisture-Proof and anti-static electricity



5、Label(标签)



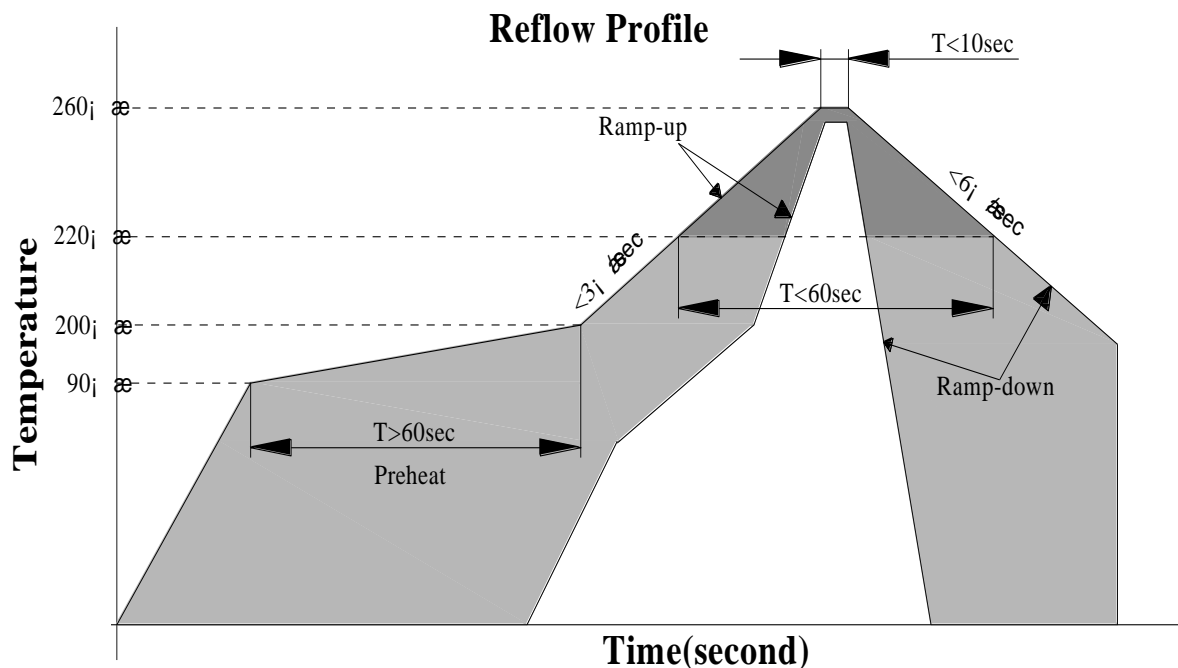
Label Explanation:

VF : Forward voltage (正向电压)
IV : Luminous intensity (发光强度)
WLD : Dominant wavelength (主波长)
VF\IV\WLD used to represent the corresponding Bin code

Precautions

1、Requirements for application and reflow soldering

Use the recommended curve in the under figure of Pb-free reflow soldering.



☆Notes for reflow soldering:

- 1) No more than twice for reflow soldering.
- 2) To ensure the quality of our LEDs, please do not put pressure on the lens of LEDs.
- 3) Please choose the right nozzle to avoid the damage to products due to the pressure.
- 4) Please put on the antistatic hand loop during the use. The worktable should be with antistatic finish. The equipments must be contacted with ground

☆Handwork soldering:

- 1) During the soldering, the electronic soldering iron must be kept under the temperature of 350°C and the soldering time must not be beyond 3 seconds. No touch between the electronic soldering iron and colloid.
- 2) Handwork soldering is only allowed once. We won't take responsibility for more than that.
- 3) Avoid using sharp objects to compress products Colloidal Part directly.
- 4) Please put on the antistatic hand loop during the use. The worktable should be with antistatic finish. The equipments must be contacted with ground.

2、Storage

- ☆Moisture proof and anti-electrostatic package with moisture absorbent material is used to keep moisture to a minimum. Before opening the package, the product should be kept at 30°C or less and humidity less than 60%RH, and be used in six months.
- ☆After opening the package, the product should be stored at 30°C or less and humidity less than 10%RH, and be soldered within 24 hours. It is recommended that the product be operated at the workshop condition of 30°C or less and humidity less than 60%RH.
- ☆If the moisture absorbent material has fade away or the LEDs have exceeded the storage time, baking treatment should be performed based on the following condition (75±5) °C for 24 hour.



СВЕТОДИОДЫ BEELED – ТЕХНИЧЕСКОЕ ОПИСАНИЕ

MODEL: 1206AML-001

3、 Static electricity

☆Static electricity or surge voltage damages the LEDs .Damaged LEDs will show some unusual characteristic such as the forward voltage comes lower, or the LEDs do not light at the low current .even not light.

All devices, equipment and machinery must be properly grounded. At the same time ,it is recommended that wrist bands or anti-electrostatic gloves, anti-electrostatic containers be used when dealing with the LEDs .

4、 Vulcanization

☆LED curing is due to sulfur being in bracket and the +1 price of silver in the chemical reaction generated Ag₂S in the process.

It will lead to the capacity of reflecting of silver layer reducing, light color temperature drift and serious decline, Seriously affecting the performance of the product. So we should take corresponding measures to avoiding vulcanization, Such as to avoid using sulphur volatile substances and keeping away from high sulphur content of the material.

5、 Safety advice for human eyes

☆Viewing direct to the light emitting center of the LEDs, especially those of great luminous Intensity will cause great hazard to human eyes .Please be careful.

6、 Design consideration

☆In designing a circuit about LED, the current through each LED must not exceed the absolute maximum rating specified for each LED. In the meanwhile, resistors for protection should be applied, otherwise slight voltage shift will cause big current change, burn out may happen.